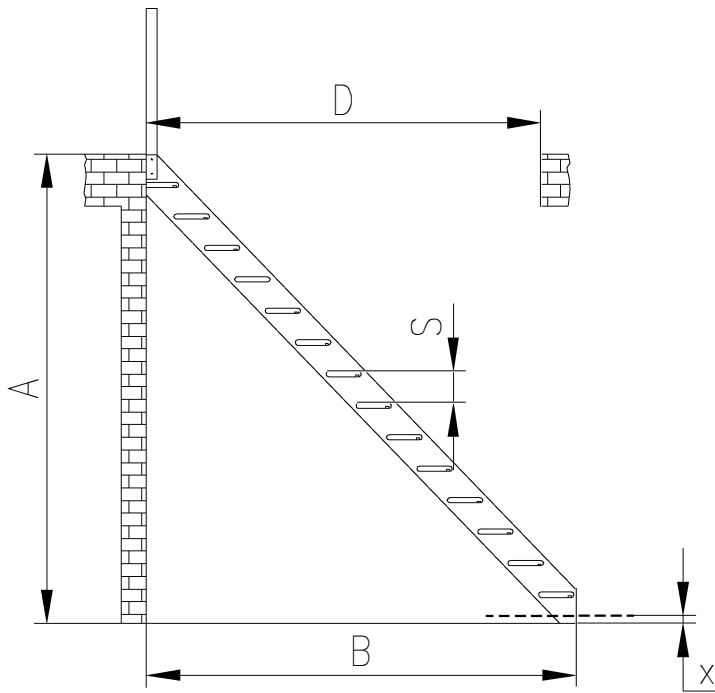

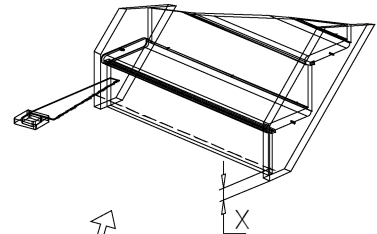


1




I.

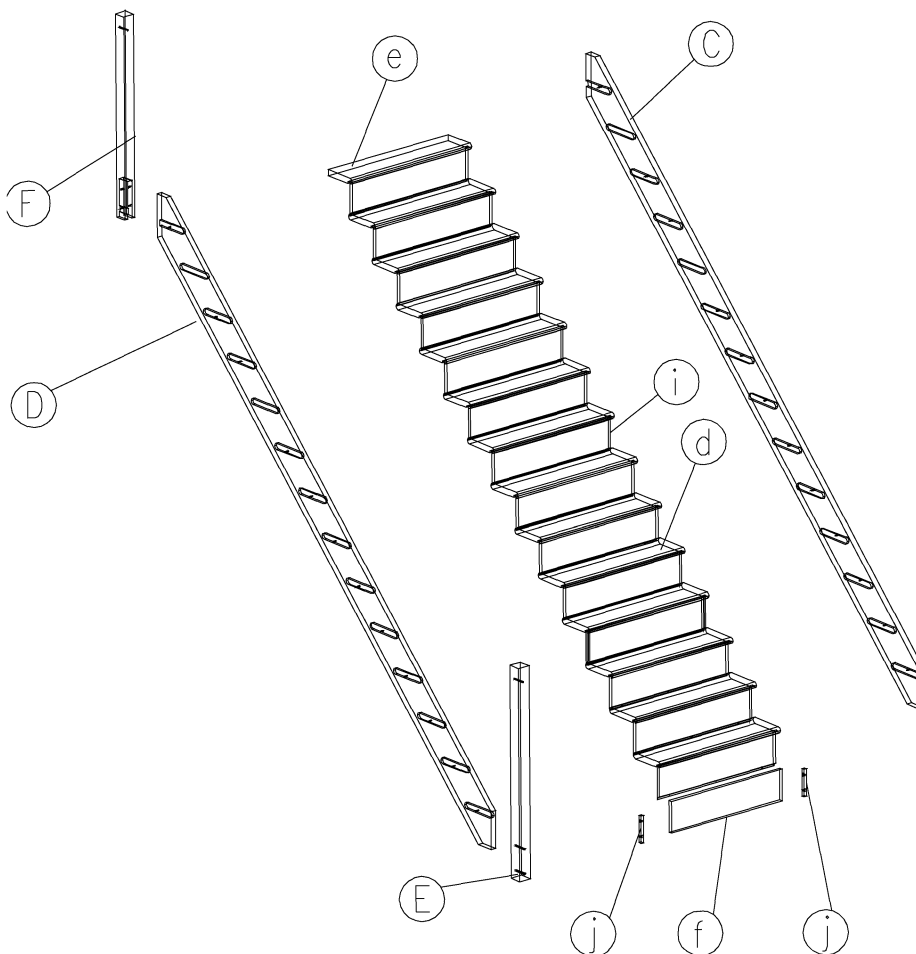
	A /cm/	B /cm/	D /cm/
14	262,0–280,5	261,5	230
13	243,0–262,0	243,5	230
12	224,5–243,0	225,5	230
11	206,0–224,5	207,5	230
10	187,5–206,0	189,5	230










II.

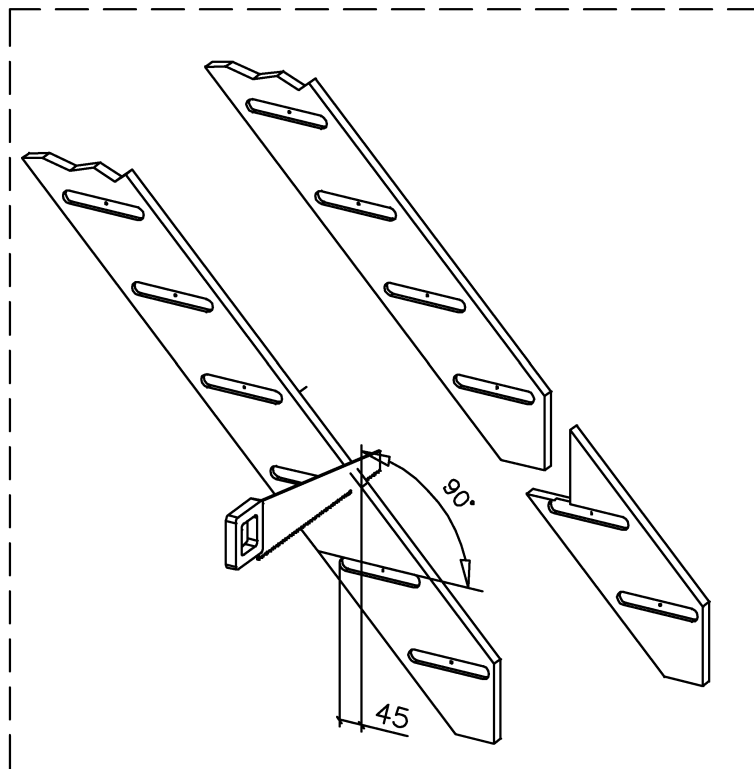
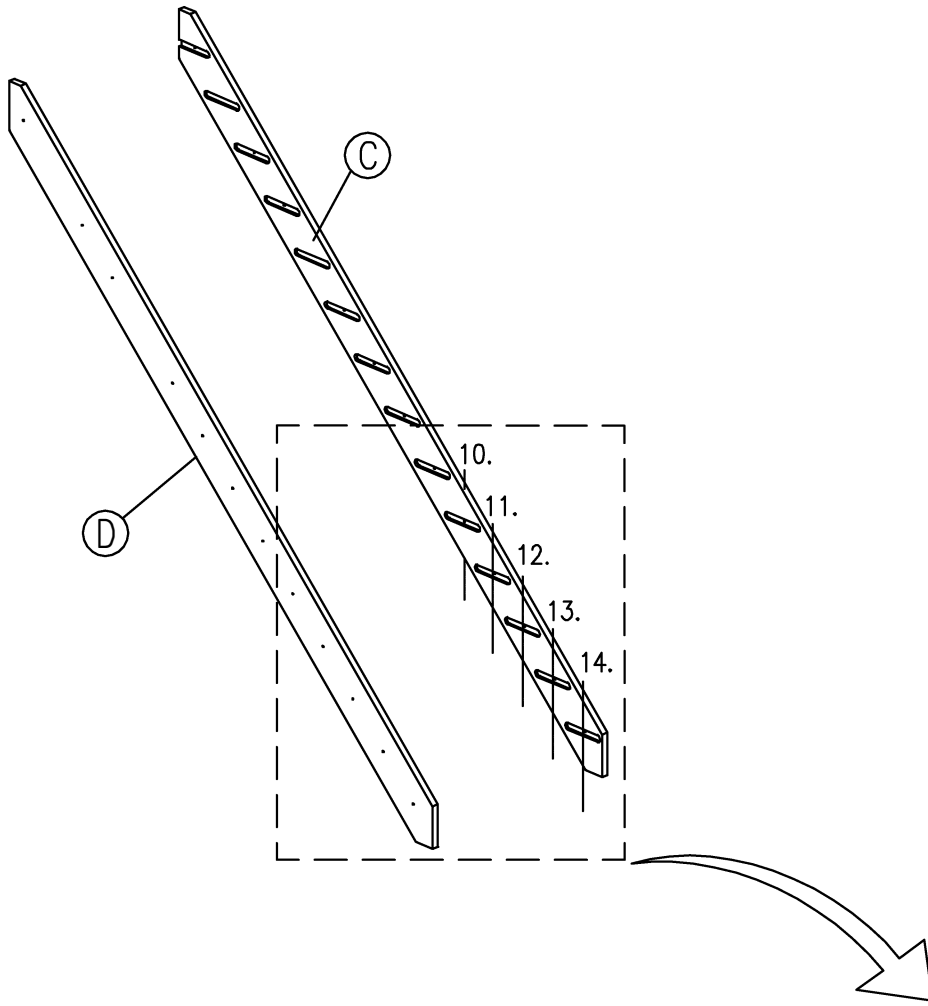
	X /cm/
12	243–A
13	262–A
14	280,5–A

2

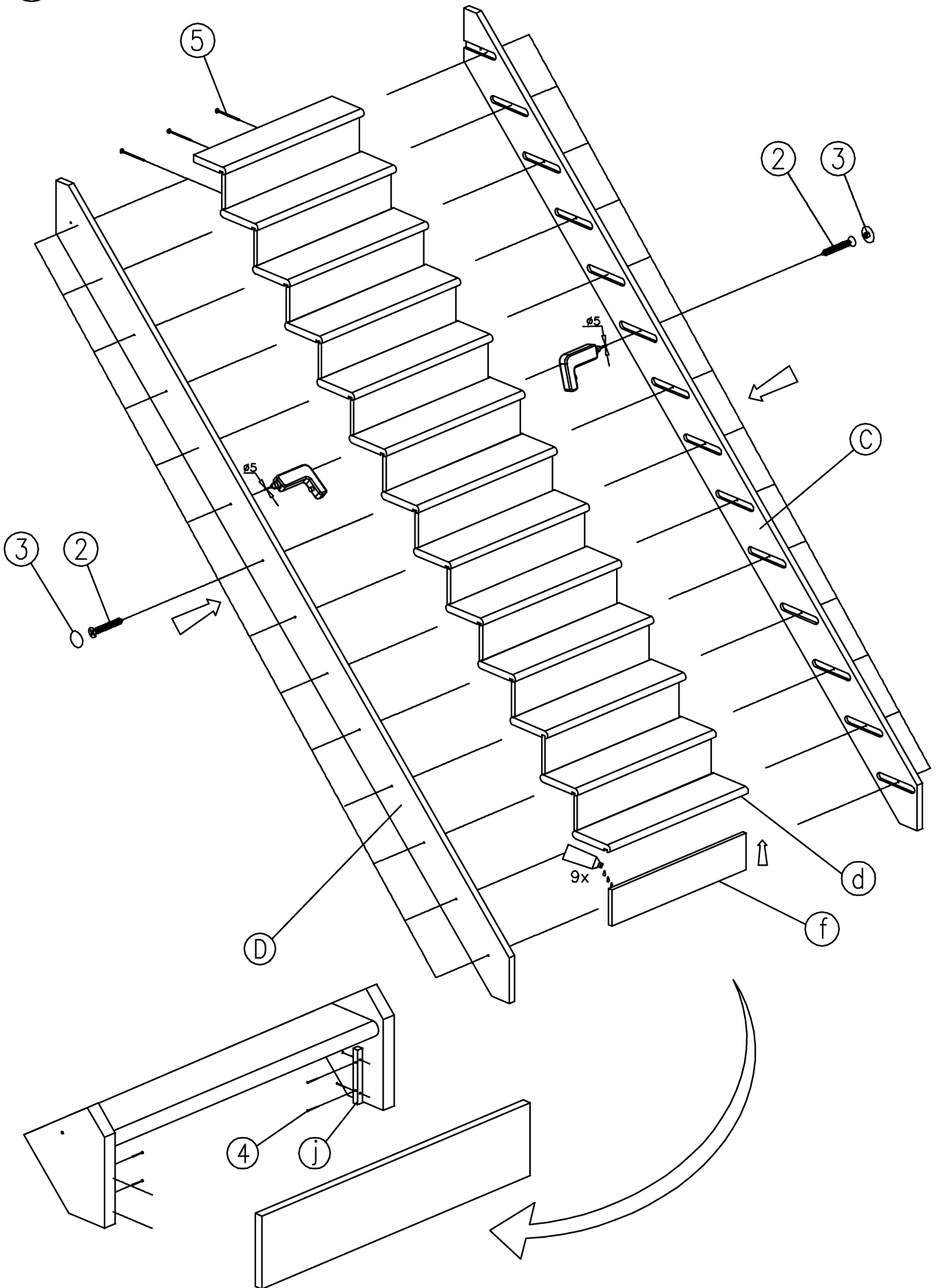


① 	② 5x50 	③ 	④ 
x2	x28	x34	x8
⑤ 	⑥ 	⑦ 4x40 	⑧
x46	x1	x4	

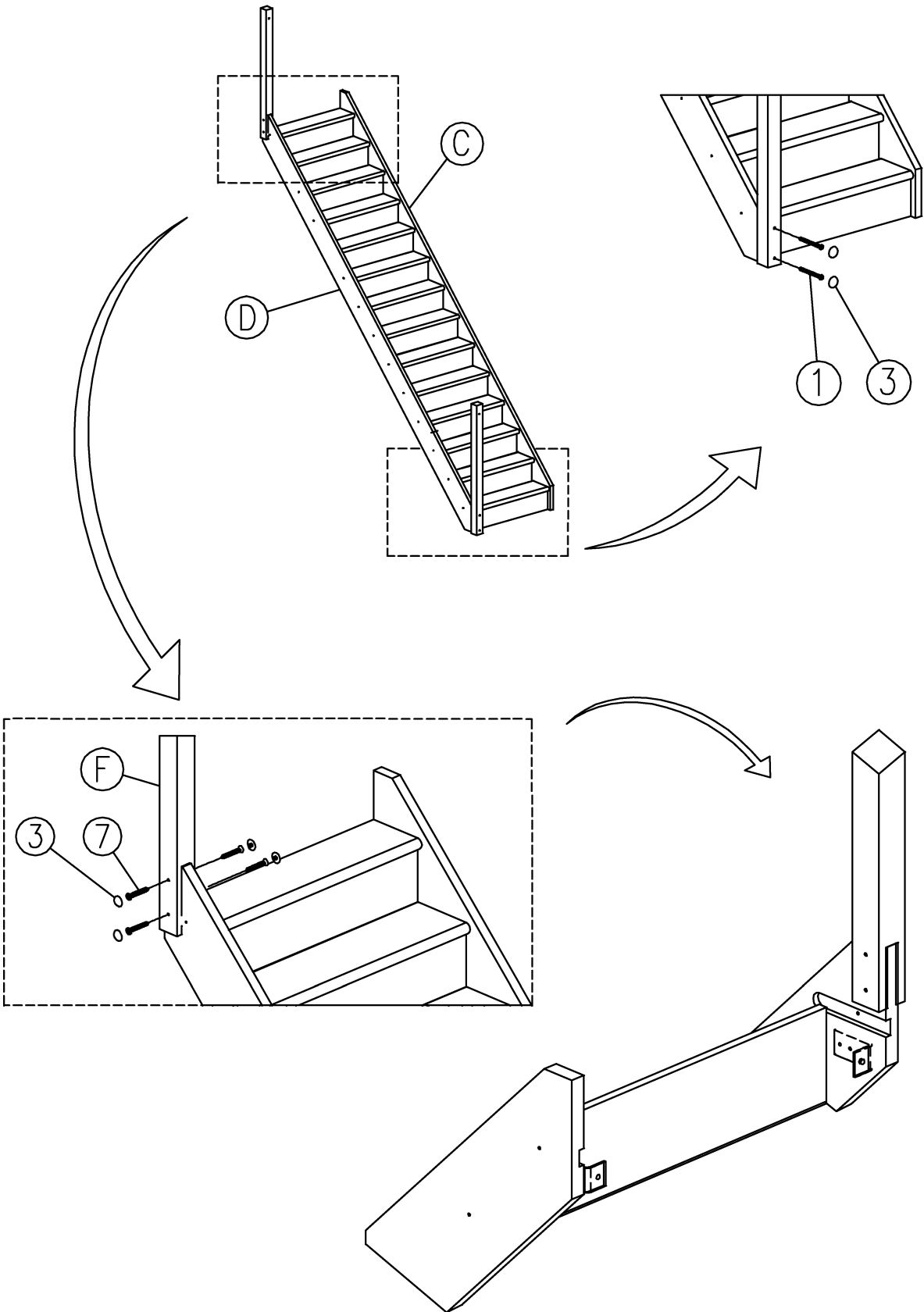
3

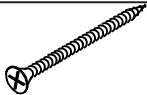



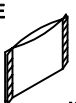



4



9



- A  x2
- B  x19
- C  x19
- D  x2
- E  x1
- F  x15

